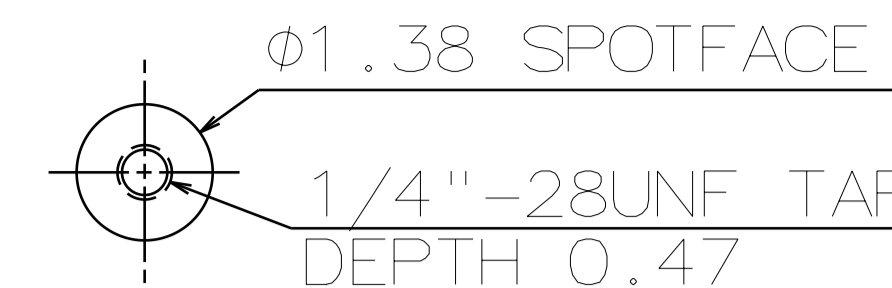


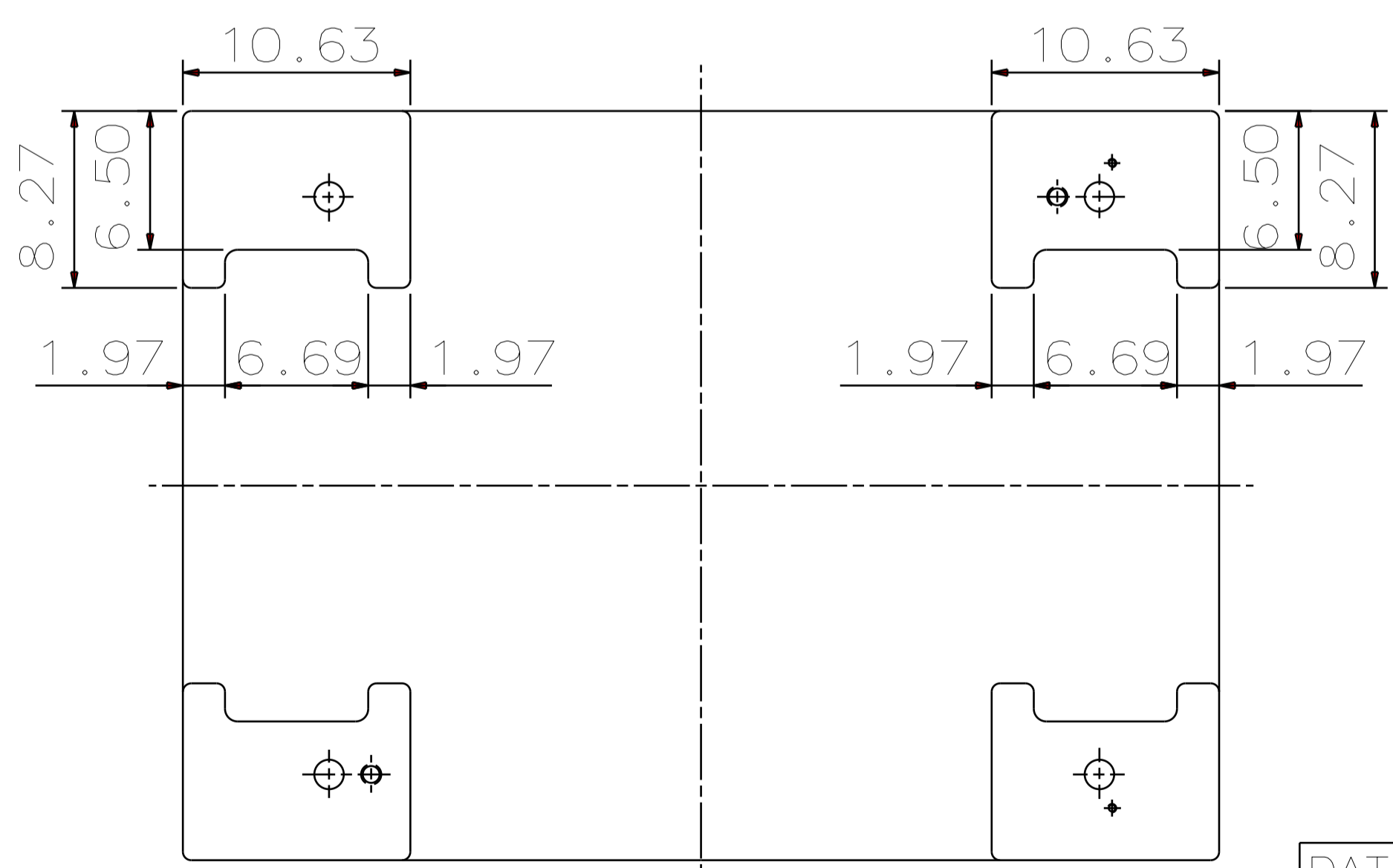
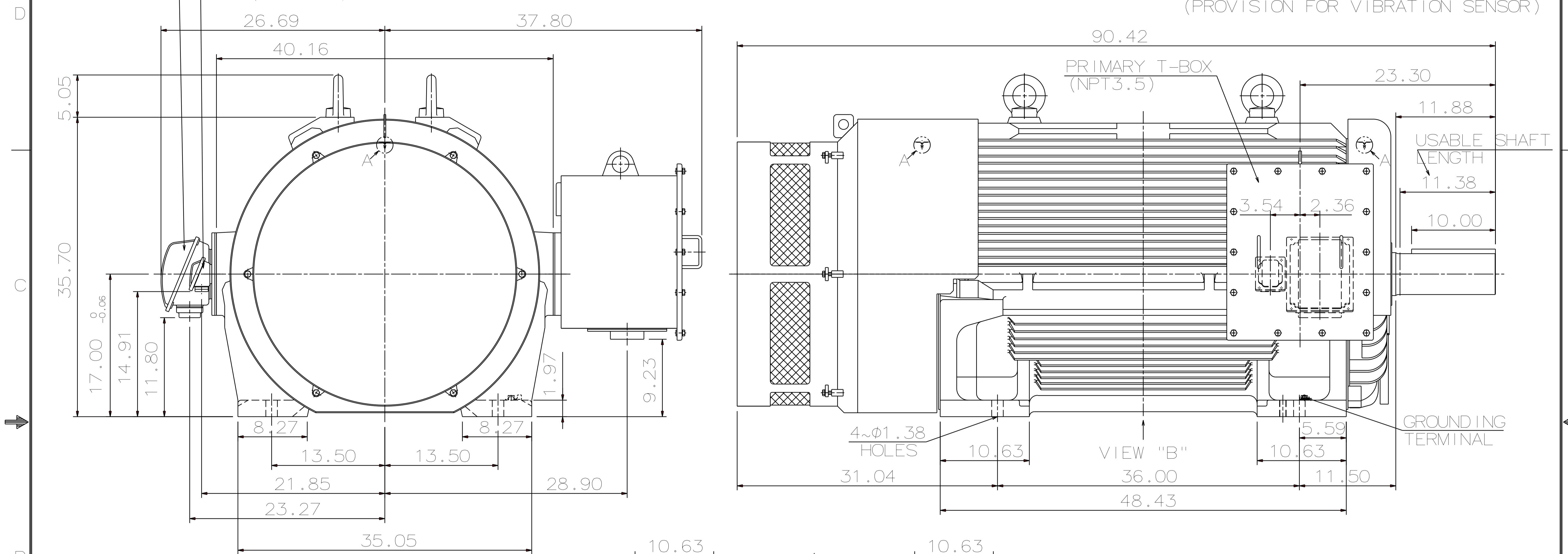
TYPE	OUTPUT		POLE	TIME RATING	VOLTAGE V	Hz	SYN. SPEED R.P.M
	HP.	kW.					
AEHAGD	800	596.5	4	CONT.	2300/4000	60	1800

TOTALLY ENCLOSED FAN-COOLED TYPE, SQUIRREL-CAGE ROTOR

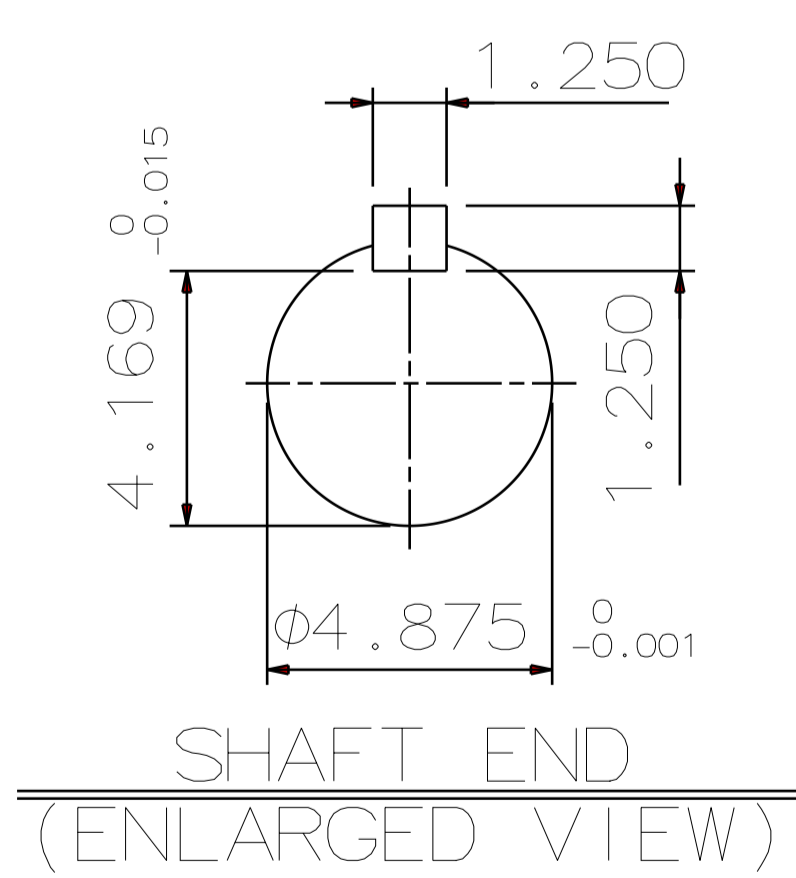


DETAIL A

(PROVISION FOR VIBRATION SENSOR)



VIEW "B"



SHAFT END (ENLARGED VIEW)

- NOTE:
- DIMENSIONS IN inch
 - FRAME NO. 6808B
 - F CLASS INSULATION, S.F.1.15
 - FOR DIRECT FLEXIBLE COUPLING
 - ENCLOSURE: IP55
 - BEARING SIZE: DRIVE-END 6326
OPP. DRIVE-END 6322
 - WITH WINDING RTD: PT 100Ω/0°C 6PCS
 - WITH SPACE HEATER: SINGLE PHASE, 120V
 - PROVISION FOR BEARING RTD MOUNTING: 2~PT1/2" TAPS PER BRACKET
 - NON-SPARKING FAN
 - CORROSION PROOF
 - APPROXIMATE WEIGHT: 7,900 LBS

DWN.	J. CHANG	MAY.27.2015
CHKD.	H. HUANG	MAY.27.2015
APPD.	C. LIU	MAY.27.2015

DATE DEC 08 2016
KD8004

OUTLINE DIMENSIONS
3-PHASE INDUCTION MOTOR

TEC Westinghouse

DWG NO. REV:00
4B040L399